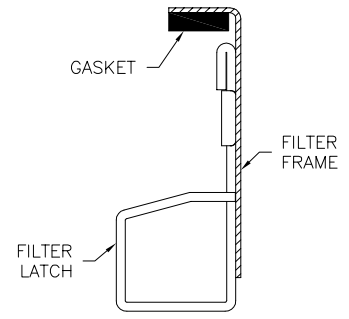
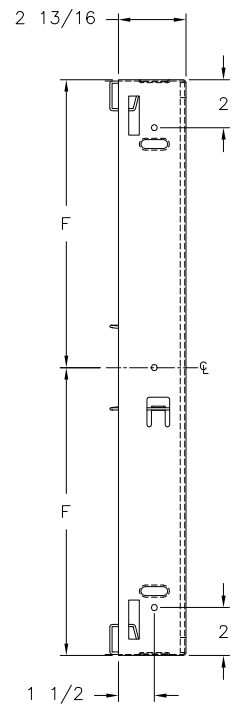
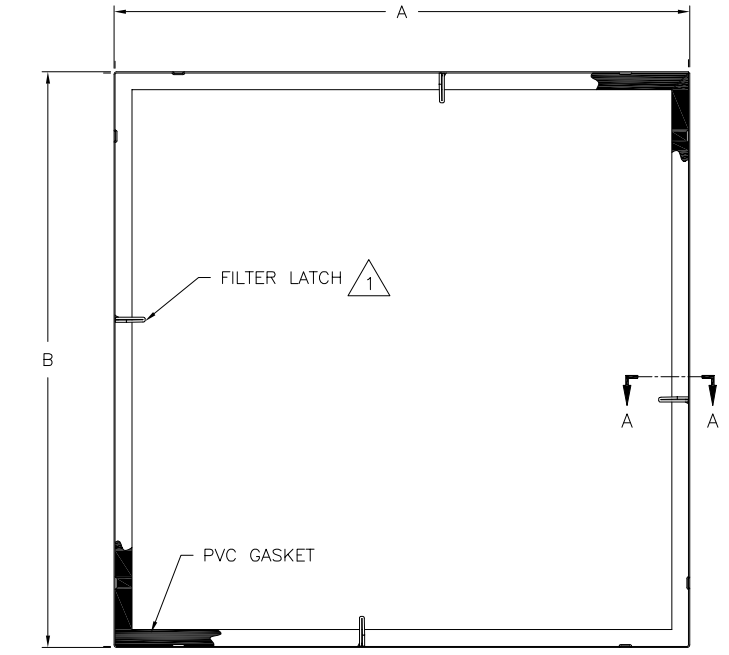
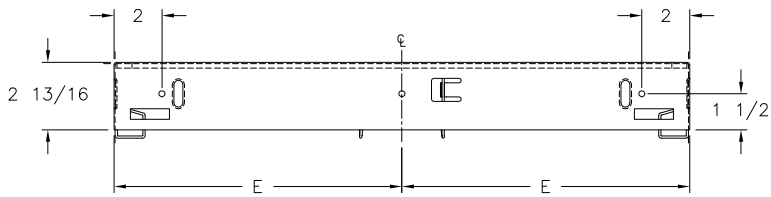
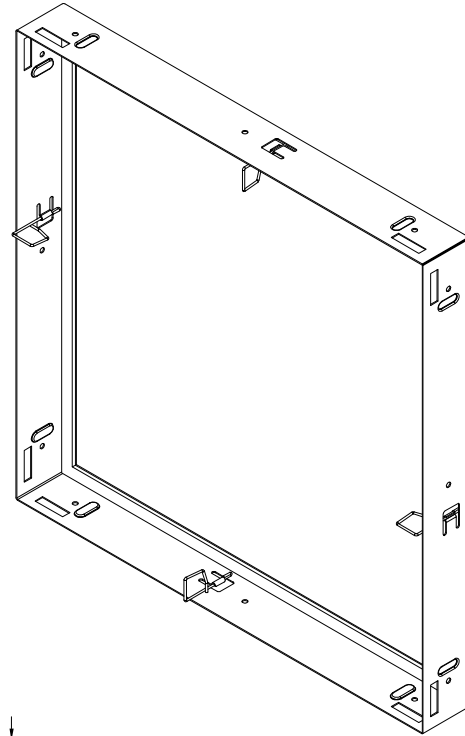


AAF PART NUMBER	4			
	A	B	E	F
321-000-319	12"	24"	—	12"
321-000-500	16"	20"	8"	10"
321-000-600	16"	25"	8"	12 1/2"
321-000-700	20"	20"	10"	10"
321-000-750	20"	24"	10"	12"
321-000-800	20"	25"	10"	12 1/2"
321-000-863	24"	24"	12"	12"

LTR.	CHANGE	CK'D	DATE	APPR	DATE
A	(A01589) REDRAWN; P/N's ADDED;				
	MATERIAL GAUGE CHG, WAS 16 GA;				
	NOTES & GRAPHICS ADDED	GAC	17FEB10	MAA	17FEB10



SECTION A-A

NOTES:

- 1 FOUR (4) LATCHES ORDERED SEPARATELY AND INSTALLED BY OTHERS, EXCEPT FOR SIZE 12x24, ONLY TWO (2) LATCHES ARE REQUIRED
- 2 MATERIAL: 18 GAUGE GALVANIZED STEEL

NEXT ASSEMBLY

Tolerance Unless Otherwise Specified:	Material	NOTED			Confidential Property of AAF International P.O. Box 35690 Louisville, Ky. 40232-5690 www.aafintl.com	AAF INTERNATIONAL
	Scale	Clk'd.	Date	Date		
Third Angle Projection	Dwn. GAC	Date 17 FEB 10	Appr.	Date	SHEET SIZE C	SECTION NO. 105 1777929
FRAME ASSEMBLY, UNIVERSAL FILTER HOLDING					REV. A	

-SUBMITTAL DRAWING-