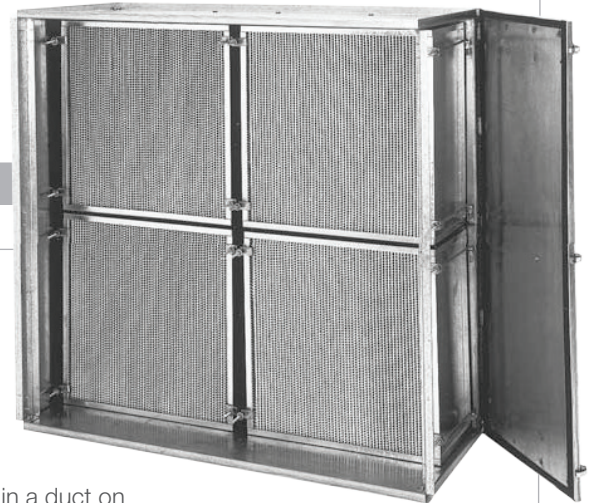


# Surelock-B

## BOLT LOCK HEPA FILTER HOUSING



- Units are constructed of durable 14 ga. galvanized steel.
- All metal-to-metal joints are welded for leak-tightness at + 8 in. w.g. internal pressure.
- Prefilter tracks and doors are fully gasketed.
- Positive-pressure adjustable door latches create an air-tight seal.
- Spring-loaded swing-arm assemblies hold HEPA filters to sealing surface.
- Access doors are hinged/removable for easy service.

### Options

- 4" Prefilter tracks.
- Double-walled insulation on doors only, or on the entire housing.
- Aluminum or 304 stainless steel housing construction.
- Swing-arm assemblies for 6 in. deep HEPA filters fully gasketed.

Surelock-B Side Access HEPA Filter Housings are designed to accept all gasket-seal HEPA filters. They are all-welded, factory-assembled flanged units suitable for installation in a duct on the downstream side of an air handling unit.

Housings guarantee filter system efficiency equal to the efficiency of the individual filters. Prefilter tracks are designed to accommodate 2 in. pleated panel filters. Both prefilters and primary HEPA filters are serviceable through gasketed access doors.

### Construction

Housings are 27 in. deep in the direction of air flow and are constructed of 14 ga. galvanized steel. Upstream and downstream outwardly turned flanges are furnished for attachment to the ductwork. Each HEPA filter is secured in place by four positive-pressure, spring-loaded swing-arm assemblies that maintain continuous pressure on the filter gasket against the sealing surfaces.

Prefilter tracks are galvanized steel furnished with a pile gasket. Hinged/removable access doors are furnished with rubber sealing gaskets and positive-pressure adjustable latches with easy-grip knobs on the air-entering and the air-leaving sides to create an airtight seal. Metal-to-metal joints are welded to ensure a leak-proof assembly at + 8 in. w.g. internal pressure.

### Versatility

Surelock-B Housings are designed to accommodate HEPA filters with a DOP efficiency of 95%, 99.97%, 99.99%, and 99.999%. Standard housings will accept nominal 12 in. deep 24 in. x 24 in. and 24 in. x 12 in. filters from one filter high and one filter wide to four filters high and six filters wide. If large units are not practical to install, smaller units are available with modifications to facilitate stacking.

# Surelock-B Filter Housing

## Ordering Information:

CFM Capacities and Dimensions Using Standard and High-Capacity HEPA Filters															
Height Code	Overall Flange Height (in.)	Initial PD (in.w.g.)	Face Velocity (fpm)	Filter Type (Note 4)	Width Code										
					10W	15W	20W	25W	30W	35W	40W	45W	50W	55W	60W
					Overall Flange Width (inches)										
					26	39 <sup>-9/16</sup>	51 <sup>-9/16</sup>	65 <sup>-1/8</sup>	77 <sup>-1/8</sup>	90 <sup>-11/16</sup>	102 <sup>-11/16</sup>	116 <sup>-1/4</sup>	128 <sup>-1/4</sup>	141 <sup>-13/16</sup>	153 <sup>-13/16</sup>
05H	15-5/6	1.0	250	Std	500		1000		1500		2000				
		1.0	375	HC	750	-	1500	-	2250	-	3000	-	-	-	-
		1.3	500	HC	1000		2000		3000		4000				
10H	27-5/16	1.0	250	Std	1000	1500	2000	2500	3000	3500	4000	4500	5000	5500	6000
		1.0	375	HC	1500	2250	3000	3750	4500	5250	6000	6750	7500	8250	9000
		1.3	500	HC	2000	3000	4000	5000	6000	7000	8000	9000	10000	11000	12000
15H	39-5/16	1.0	250	Std	1500		3000		4500		6000		7500		9000
		1.0	375	HC	2250	-	4500	-	6750	-	9000	-	11250	-	13500
		1.3	500	HC	3000		6000		9000		12000		15000		18000
20H	51-5/16	1.0	250	Std	2000	3000	4000	5000	6000	7000	8000	9000	10000	11000	12000
		1.0	375	HC	3000	4500	6000	7500	9000	10500	12000	13500	15000	16500	18000
		1.3	500	HC	4000	6000	8000	10000	12000	14000	16000	18000	20000	22000	24000
25H	63-5/16	1.0	250	Std	2500		5000		7500		10000		12500		15000
		1.0	375	HC	3750	-	7500	-	11250	-	15000	-	18750	-	22500
		1.3	500	HC	5000		10000		15000		20000		25000		30000
30H	75-5/16	1.0	250	Std	3000	4500	6000	7500	9000	10500	12000	13500	15000	16500	18000
		1.0	375	HC	4500	6750	9000	11250	13500	15750	18000	20250	22500	24750	27000
		1.3	500	HC	6000	9000	12000	15000	18000	21000	24000	27000	30000	33000	36000
35H	87-5/16	1.0	250	Std	3500		7000		10500		14000		17500		21000
		1.0	375	HC	5250	-	10500	-	15750	-	21000	-	26250	-	31500
		1.3	500	HC	7000		14000		21000		28000		35000		42000
40H	99-5/16	1.0	250	Std	4000	6000	8000	10000	12000	14000	16000	17500	20000	22000	24000
		1.0	375	HC	6000	9000	12000	15000	18000	21000	24000	26250	30000	33000	36000
		1.3	500	HC	8000	12000	16000	20000	24000	28000	32000	35000	40000	44000	48000

### Notes:

1. Height and Width Code: The first numeral represents the number of 24 in. x 24 in. filters high or wide. If 24 in. x 12 in. filters are also used in the height width, the second numeral is "5."
2. Standard housing depth is 27 in.
3. For capacities and pressure drop other than those shown, ratio the face velocities.
4. Capacities shown are based on Standard (Std) and High Capacity (HC) 99.97% and 99.99% HEPA filters nominal 12 in. deep and actual face sizes of 24 in. x 24 in. and 24 in. x 12 in.

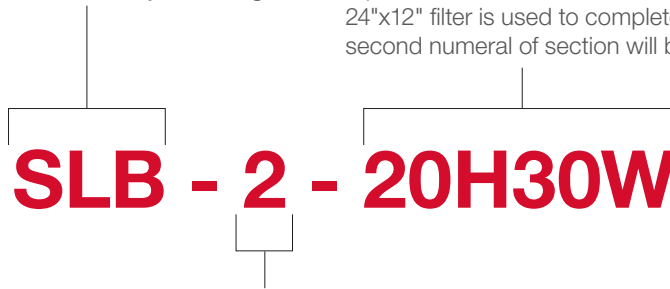
### Model Number Breakdown (Example)

#### Example:

The number **SLB220H30W** represents a Surelock SLB 2 20H 30W X B housing with 2 in. prefilter track, 2 filters high and 3 filters wide.

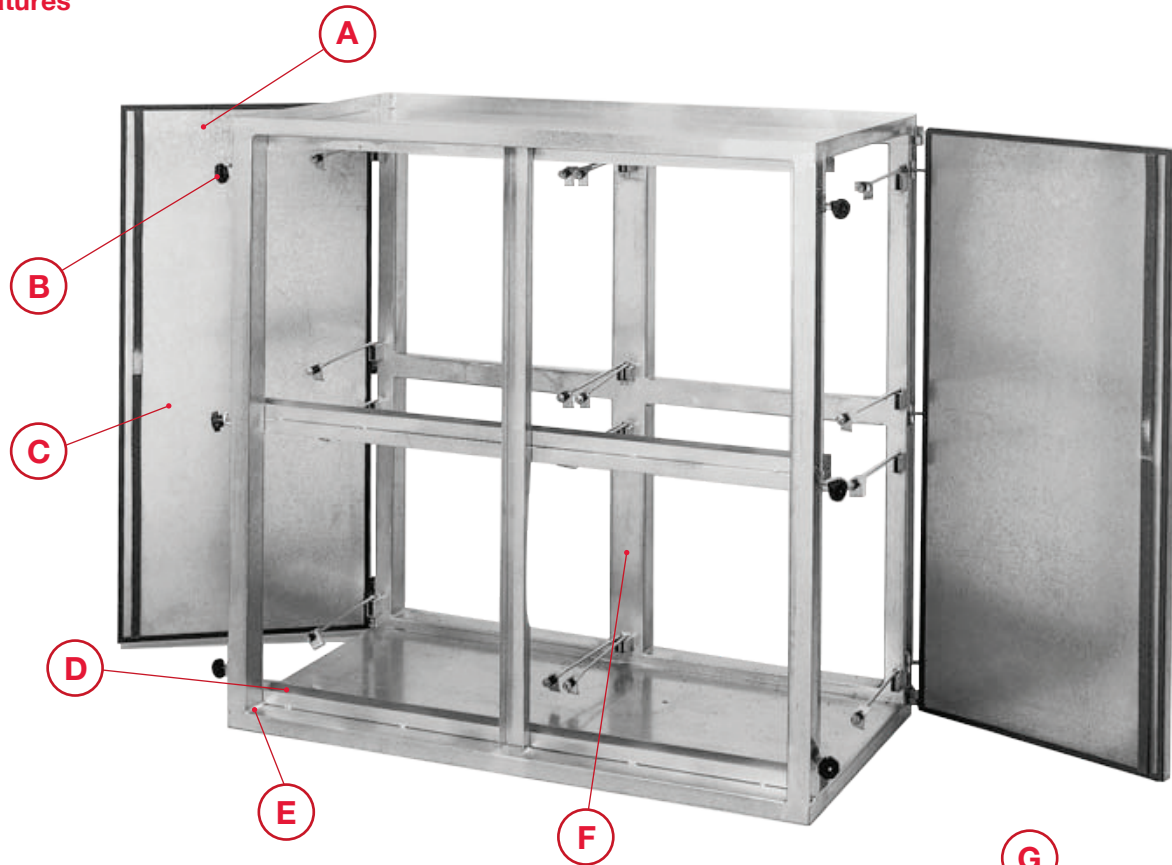
Prefix SLB stands for Surelock B style housing.

Height and Width code: The first numeral of each section represents the number of 24"x24" filters high or wide. If a 24"x12" filter is used to complete the height or width, the second numeral of section will be "5."

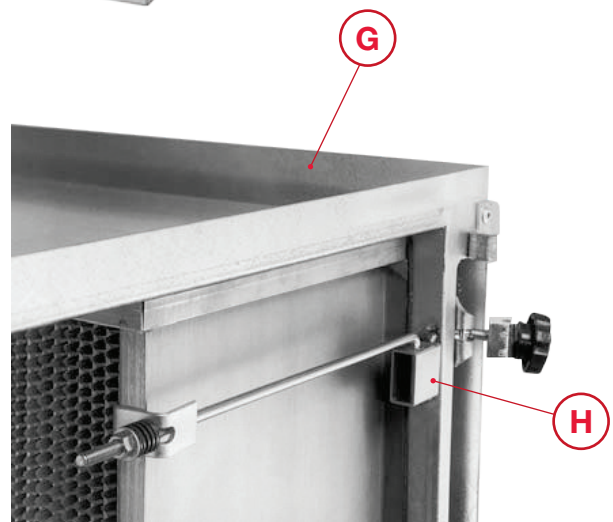


Prefilter track designation. Insert a 2 for a 2" prefilter track or a 4 for 4" prefilter track.

## Features

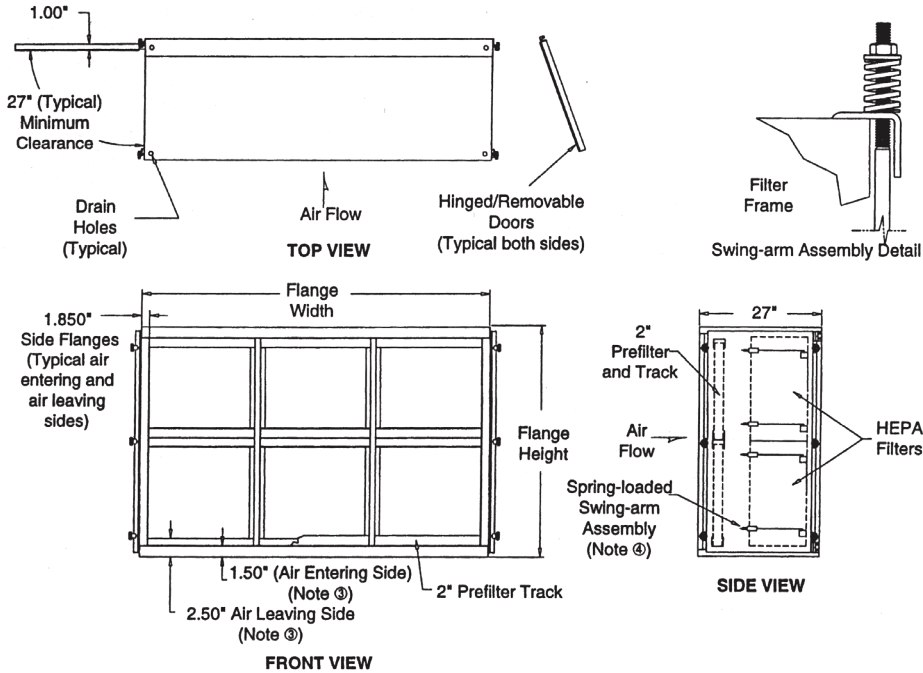


- A.** 14 ga. galvanized steel construction
- B.** 1-1/2 in. easy-grip UV-resistant knobs on positive-pressure adjustable door latches
- C.** Hinged/removable doors
- D.** 2 in. pre-filter tracks
- E.** All metal joints welded
- F.** Filter sealing surface
- G.** Standing flange for duct connection
- H.** Spring loaded swing-arm filter clamping assembly



# Surelock-B Filter Housing

## Specifications



1. Standard construction: All-welded 14 gauge (.078 in.) galvanized steel housing and doors, leak-tight at + 8 in. w.g.
2. Flange dimensions are typical for both top and bottom of openings.
3. Each HEPA filter is individually secured and clamped in place with four spring-loaded swing arm assemblies.
4. Maximum operating temperature for standard Surelock Housings is 250 °F.

## Guide Specifications

### 1.0 Filter Housings

- 1.1 Side access HEPA filter housings shall be Surelock-B as manufactured by AAF.
- 1.2 Unit shall be a factory-assembled, air-tight housing with upstream and downstream outwardly turned flanges for installation in the ductwork.
- 1.3 Housings shall be suitable for operation + 8 in. w.g. internal static pressure.

### 2.0 Construction

- 2.1 Housing construction shall be of 14 ga. galvanized steel. Metal-to-metal joints shall be welded.
- 2.2 Prefilter tracks shall be galvanized steel and incorporate a pile gasket to ensure sealing of the filter to the track.

- 2.3 Each HEPA filter shall be secured in place with four spring-loaded swing-arm assemblies to provide positive sealing of the HEPA filter to the mounting surface.
- 2.4 Access doors shall be hinged/removable and shall have continuous neoprene gasketing on the perimeter. They shall be equipped with positive-pressure adjustable latches with easy-grip knobs.

### 3.0 Features

- 3.1 Model number and capacities shall be as specified and/or shown on the drawings.
- 3.2 Provide options as specified.

