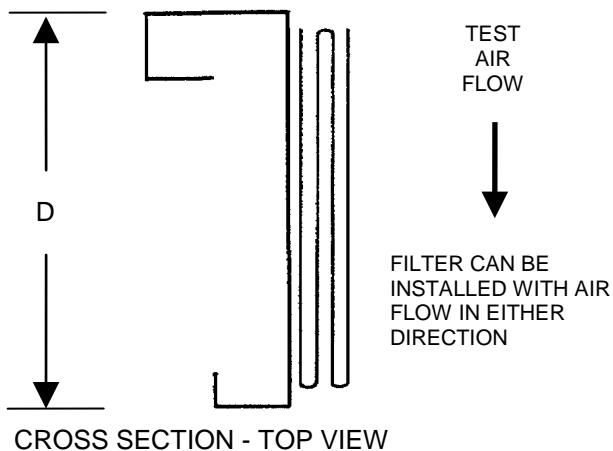
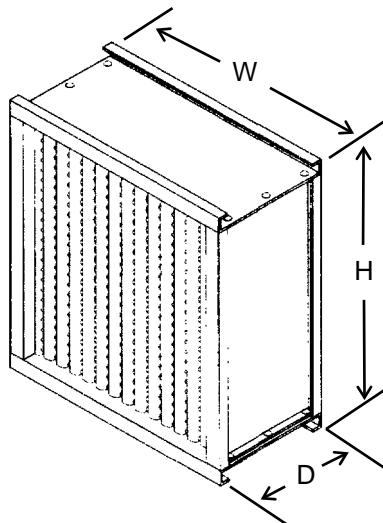


AIR FILTRATION PRODUCTS

AstroSeal METAL CELL SIDES

AAF CONTROL NO.:		P.O.:	
DATE:	July 21, 2017	BY:	
CUSTOMER:		LOCATION:	
CONTACT NAME:		REFERENCE:	



CELL SIDE MATERIAL:

- GALVANIZED STEEL
- 304 - STAINLESS STEEL
- 409 - STAINLESS STEEL
- MILL FINISH ALUMINUM
- SPECIAL - _____

SEPARATORS:

- ALUMINUM
- VINYL COATED ALUMINUM
- SPECIAL - _____

BOND MATERIAL:

- FR POLYURETHANE
- WHITE SILICONE (400° F)
- RED SILICONE (500° F)
- SPECIAL - _____

GASKET MATERIAL:

- NONE
- SPECIAL - _____

GASKET LOCATION:

- NONE
- SPECIAL - _____

FACTORY TEST:

- 99.97% PAO
- 95% DOP - BioCel
- 99.99% PSL
- 99.99% SCAN
- 99.999% PSL
- 99.999% SCAN
- 99.99% PAO
- 99.99% PAO SCAN
- SPECIAL - _____

FACEGUARD (FG) / UL 586 LABEL:

- NO FG OR UL LABEL
- FG UPSTREAM, NO UL LABEL
- FG DOWNSTREAM, NO UL LABEL
- FG BOTH SIDES, NO UL LABEL
- SPECIAL - _____
- NO FG, WITH UL LABEL
- FG ON BOTH SIDES, WITH UL LABEL

UL 900 CLASSIFICATION

ALL METAL AstroSeal FILTERS ARE CLASSIFIED UL CLASS 1.

SIZE: AS SHOWN ON DRAWINGS OR LISTED BELOW.

MEDIA - WATER REPELLANT GLASS MICROFIBER:

- 99.97% / 99.99% (HEPA)
- 95% BioCel
- 99.999% / 99.9995% (ULPA)
- SPECIAL - _____

QUANTITY	PART NUMBER	H	W	D	NOTES