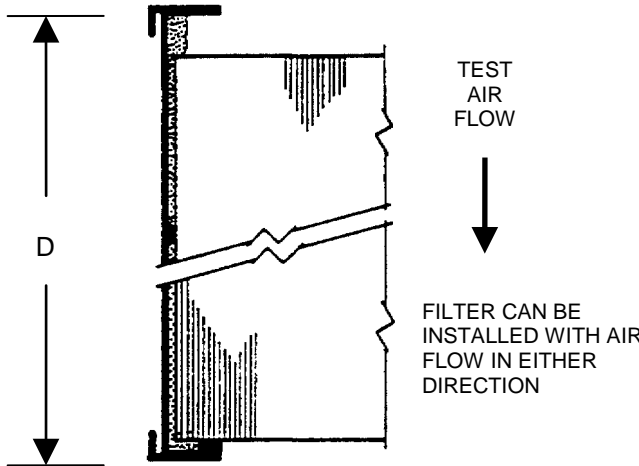
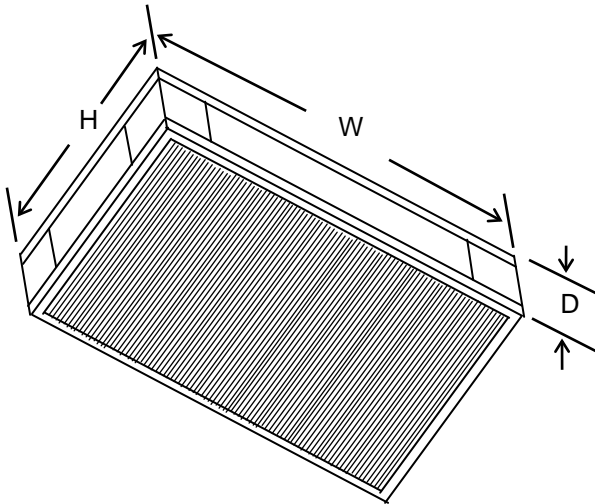


AAF CONTROL NO.:		P.O.:	
DATE:	July 21, 2017	BY:	
CUSTOMER:		LOCATION:	
CONTACT NAME:		REFERENCE:	



CROSS SECTION - TOP VIEW

SIZE: AS SHOWN ON DRAWINGS OR LISTED BELOW.

MEDIA - WATER REPELLANT GLASS MICROFIBER:

- 99.97% / 99.99% (HEPA) (A)
- 95% BioCel (D)
- 99.999% / 99.9995% (ULPA) (E)
- INTERSEPT Treated (99.99%) (I)
- SPECIAL - _____ (Z)

CELL SIDE MATERIAL: Aluminum "C" Channel

- EXTRUDED ANODIZED ALUMINUM (40)
- SPECIAL - _____ (99)

SEPARATORS:

- ALUMINUM (J)
- HIGH CAPACITY ALUMINUM (H)
- VINYL COATED ALUMINUM (V)
- SPECIAL - _____ (Z)

BOND MATERIAL:

- POLYURETHANE ELASTOMER (2)
- SPECIAL - _____ (9)

GASKET MATERIAL: (1/4" x 3/4" w/ butt joints)

- NONE (P)
- NEOPRENE (T)
- PORON (w/ dovetail joints) (U)
- PORON (V)
- SPECIAL - _____ (Z)

GASKET LOCATION:

- NONE (0)
- AIR ENTERING SIDE (1)
- AIR LEAVING SIDE (2)
- BOTH SIDES (3)
- SPECIAL - _____ (4)

FACTORY TEST:

- 99.97% PAO (A) (A)
- 95% DOP - BioCel (D) (F)
- 99.99% PSL (A) (G)
- 99.99% SCAN (A) (H)
- 99.999% PSL (E) (J)
- 99.999% SCAN (E) (K)
- 99.9995% SCAN ON 0.1μ to 0.2μ (E) (M)
- 99.99% PAO (A) (R)
- 99.99% PAO SCAN (A) (S)
- SPECIAL - _____ (E)

FACEGUARD (FG) / UL 586 LABEL:

- NO FG OR UL LABEL (0)
- FG UPSTREAM, NO UL LABEL (1)
- FG DOWNSTREAM, NO UL LABEL (2)
- FG BOTH SIDES, NO UL LABEL (3)
- SPECIAL - _____ (4)
- NO FG, WITH UL LABEL (5)
- FG ON BOTH SIDES, WITH UL LABEL (8)

UL 900 CLASSIFICATION

ALL METAL AstroCel I FILTERS ARE CLASSIFIED UL CLASS 1.

QUANTITY	STYLE CODE	H	W	D	NOTES