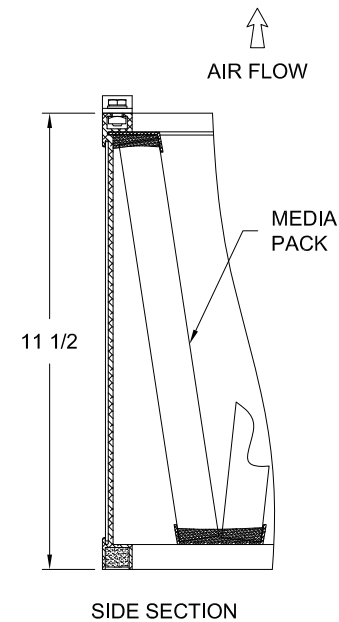
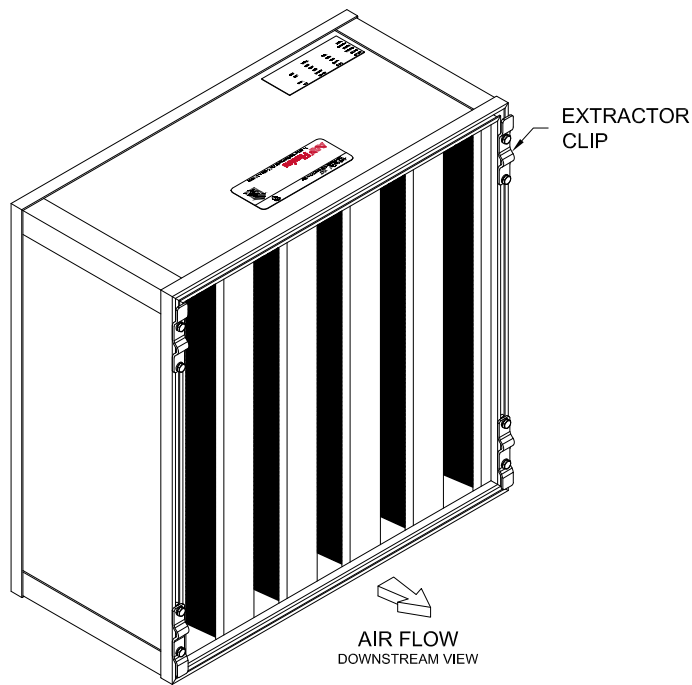
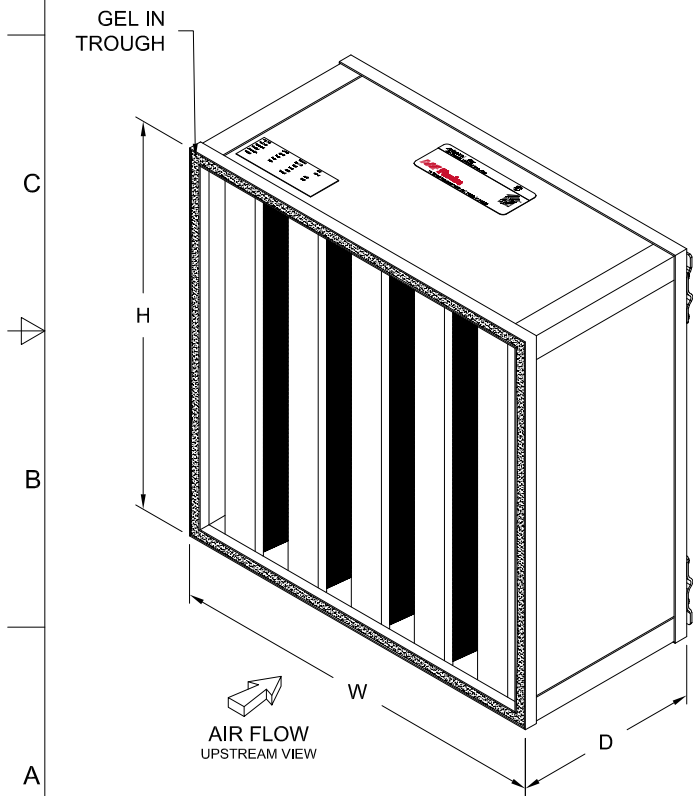


Qty	Part Number	Actual Size H x W x D (in)	Media Area (SQ. FT.)	Rated Flow (CFM) @ 1" W.G.	Extractor Clips
	3047388-001	24 x 24 x 11 1/2	392	2150	YES
	3047388-002	24 x 12 x 11 1/2	196	800	
	3047388-003	23 3/8 x 23 3/8 x 11 1/2	383	2075	
	3047388-004	23 3/8 x 11 3/8 x 11 1/2	191	775	
	3047388-005	2 4 x 24 x 11 1/2	392	2150	NO
	3047388-006	24 x 12 x 11 1/2	196	800	
	3047388-007	23 3/8 x 23 3/8 x 11 1/2	383	2075	
	3047388-008	23 3/8 x 11 3/8 x 11 1/2	191	775	

**MATERIALS:**

- FRAME - CLEAR ANODIZED ALUMINUM EXTRUSION, ALLOY 6063-T5, ONE PIECE SIDES
- MEDIA PACK - MICRO GLASS FIBER WITH ACRYLIC BINDER PLEATS EVENLY SPACED USING ADHESIVE COATED FIBERGLASS STRING
- SEALANT - PHOSPHORUS FREE, FIRE RETARDANT POLYURETHANE
- GASKET - SILICONE
- PERFORMANCE - MINIMUM EFFICIENCY OF 99.99% ON 0.3um PSL
- CERTIFICATIONS - UL-900 AND CAN4-S111, CLASS 2
- TOLERANCES - HEIGHT AND WIDTH: +0, -1/8 DEPTH: +1/16, -0  
DIAGONALS WITHIN 1/8"
- MAXIMUM OPERATING TEMPERATURE - 158° F



SALES/SUBMITTAL DRAWING

APPROVAL BLOCK

OKAY AS IS     OKAY WITH REVISIONS NOTED

SIGNATURE: \_\_\_\_\_ DATE: \_\_\_\_\_

CONFIDENTIAL

©2015 AAF INTERNATIONAL. ALL RIGHTS RESERVED. THIS DRAWING AND THE INFORMATION CONTAINED OR REFERENCED HEREIN REMAINS THE EXCLUSIVE PROPERTY OF AAF INTERNATIONAL AND IS LOANED IN STRICT CONFIDENCE WITH THE UNDERSTANDING THAT IT WILL NOT BE REPRODUCED NOR USED FOR ANY PURPOSE EXCEPT FOR WHICH IT WAS LOANED. THIS DRAWING SHALL BE IMMEDIATELY RETURNED OR DESTROYED UPON REQUEST AND IS SUBJECT TO ALL OTHER TERMS AND CONDITIONS OF ANY WRITTEN AGREEMENT OR PURCHASE ORDER TO WHICH IT RELATES.

**AAF | Flanders**

P.O. Box 35690 Louisville, KY, 40232-5690    [www.aafintl.com](http://www.aafintl.com)

THIRD ANGLE PROJECTION

PROBLED BY: \_\_\_\_\_ DATE: 01NOV2019

  BH: \_\_\_\_\_

DRAWN BY: \_\_\_\_\_ DATE: 11NOV2019

  GAC: \_\_\_\_\_

CHECKED BY: \_\_\_\_\_ DATE: 10NOV2019

  GG: \_\_\_\_\_

APPROVED BY: \_\_\_\_\_ DATE: \_\_\_\_\_

TOLERANCE UNLESS NOTED OTHERWISE

± 1/16" - ± 1/2"

TITLE

SUBMITTAL - ASTROCEL III

GEL SEAL

ESTIMATED WEIGHT:

DRAWING NUMBER

3172528

SECTION NUMBER: 105    SHEET SIZE: B

SHEET 1 of 1    REV: -